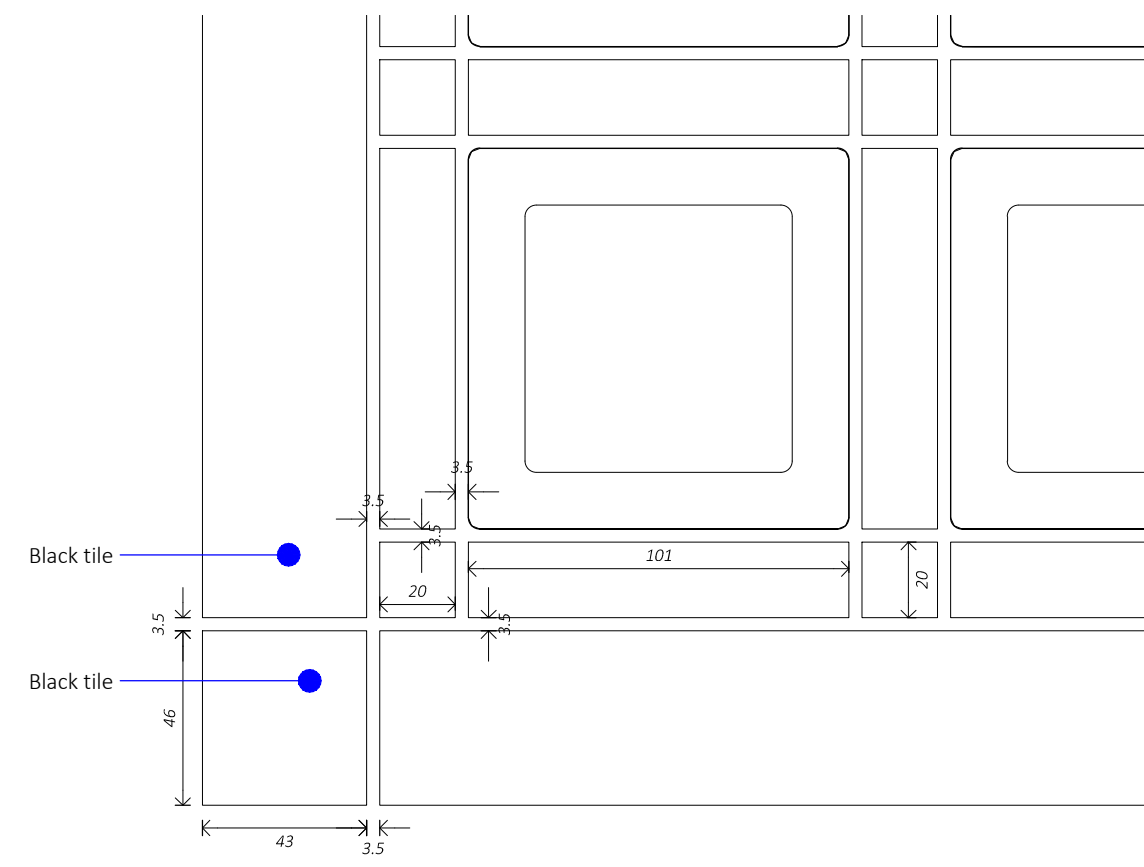
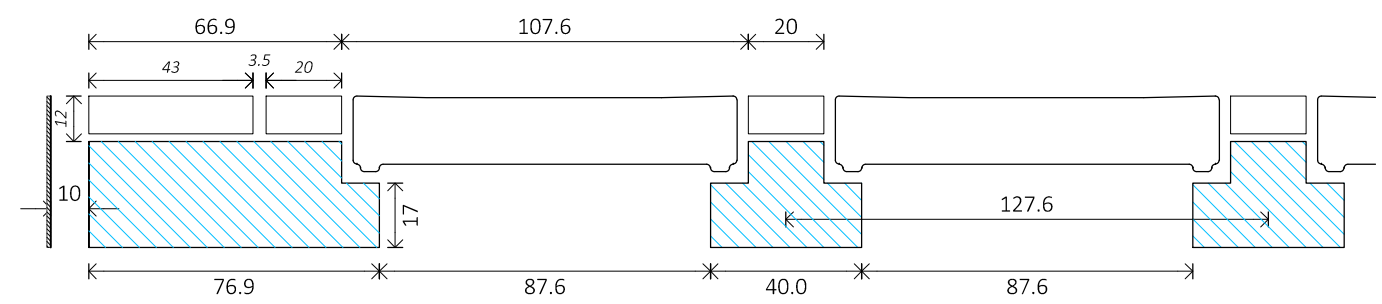


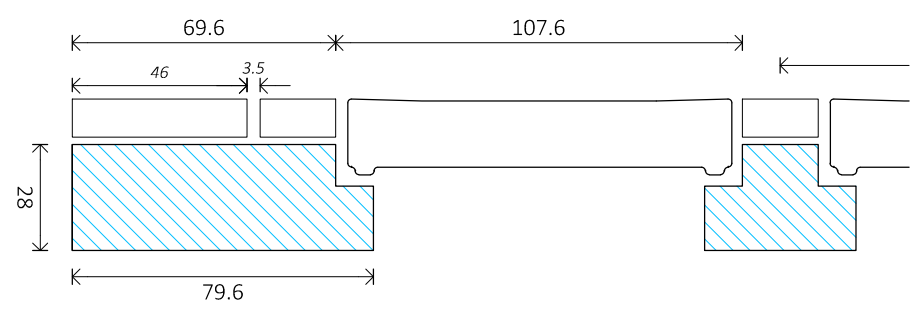
NAG-CAST-T4 Tiled Pavement Light Details - Scale 1:10



Corner Detail - Scale 1:2



Details 1 and 2 showing Cast-Iron structure and principle dimensions - Scale 1:2



General
 Refer status of drawing for use of this drawing.
 Only dimensions shown on drawings with the status 'Construction' are to be used for construction of the structure or the ordering of materials. For all other drawing states, the dimensions shown are for indication only and should be checked on site before being used.
 Any discrepancies or variations in any of the dimensions or method of construction should be notified to New Age Glass before commencing work.
 This drawing shall be read in conjunction with all other drawings and documents (see Drawing and Document List).

COLOURED

Rev A: First Issue
 B: Edge tiles changed to black
 C: Excessively accurate dimensions added for construction
 D: Simplified dimensions and layout (single edge tile)

Drawing Number NAG17-2-1	Rev D	Issue Date 16 May 2017
-----------------------------	----------	---------------------------

Drawing Title
 General Layout and Principle Dimensions

Scale 1:10 and 1:2 @A3	Paper Size A3
---------------------------	------------------

NEWAGEGLASS
 Unit-4, Pheonix Business Centre, Spur Road
 CHICHESTER, West Sussex PO19 8PN
 01243 790414 - info@newageglass.co.uk

Project
 ZIMMERMANN (UK) Ltd

Address
 23-23A Bruton Street, London, W1J 6QG

Status
 Discussion

Length of this border - 277mm