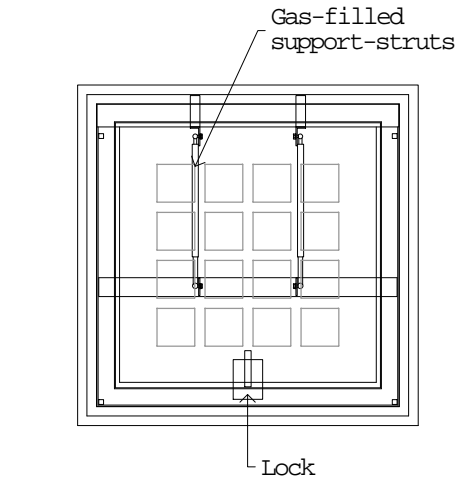
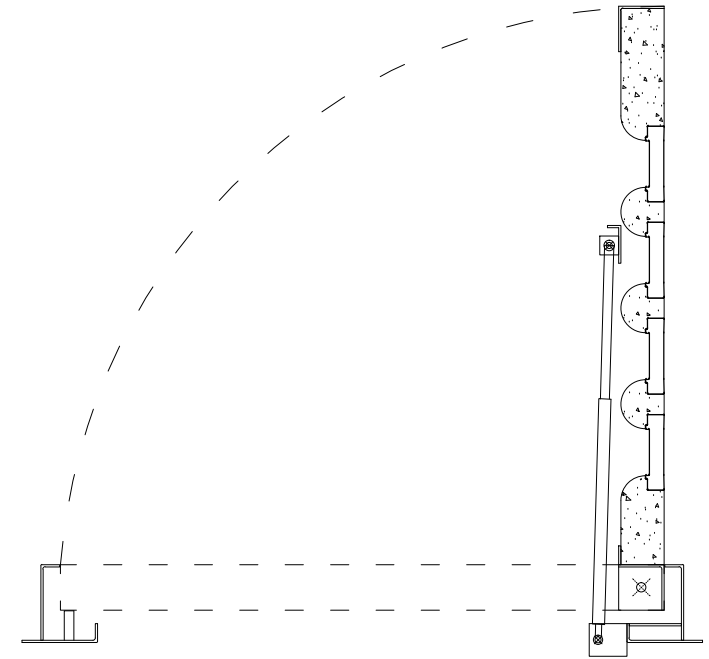


Plan 1:10

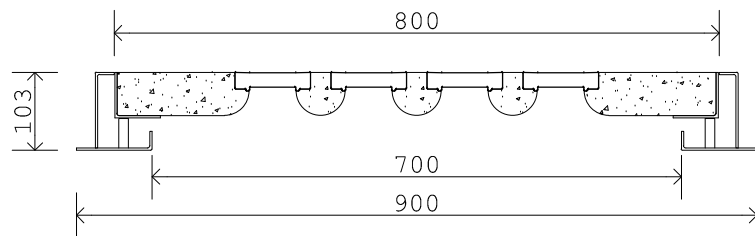


Layout of frame 1:20

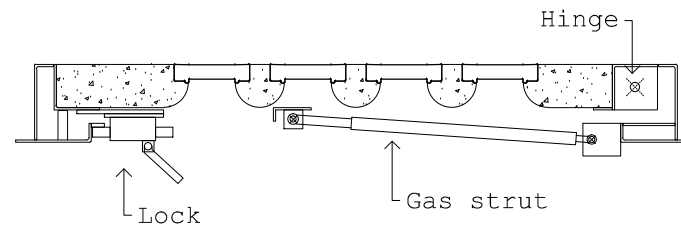
100-mm lenses at  
 127-mm centres  
 Grade-40 concrete,  
 float finished and  
 natural colour.



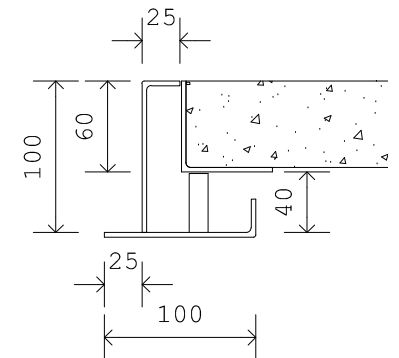
Section B 1:10  
 Showing flap open



Section A 1:10



Section B 1:10



Frame detail 1:5

**NEW AGE GLASS**

Unit-4, Pheonix Business Centre  
 Spur Road  
 CHICHESTER  
 West Sussex PO19 8PN  
 01243 790414 - info@newageglass.co.uk

Drawing Number  
**Information**  
 Rev **A** Issue Date  
**29 April 2016**

**Details**  
 Scale: 1:10@A4 and 1:5@A4  
 Rev A: First Issue

Project  
 NAG Access Hatch

Address  
 Address

Status  
**Discussion**