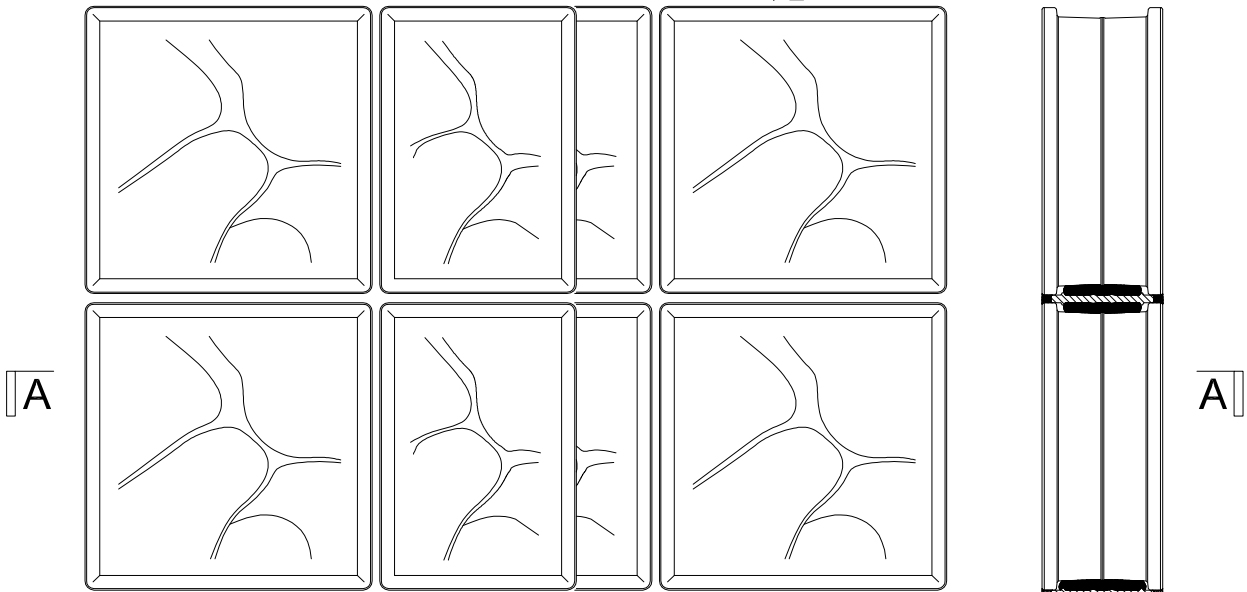
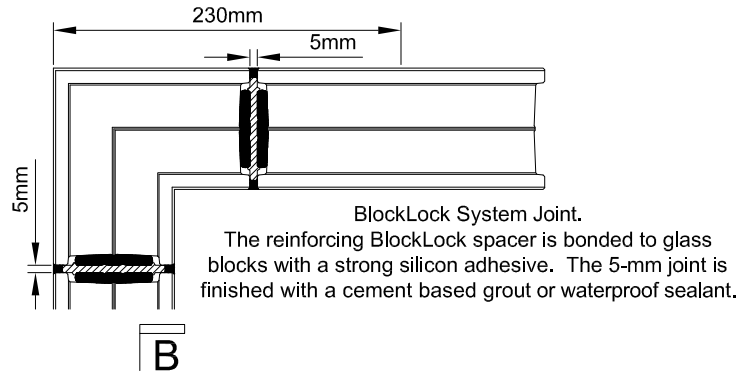
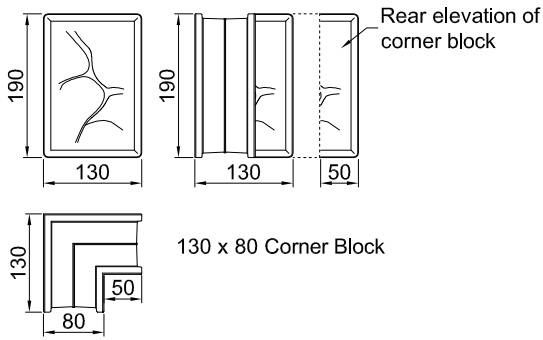


# Technical Details - Pre-Fabricated - 130 Corner Block - 5 mm Joint

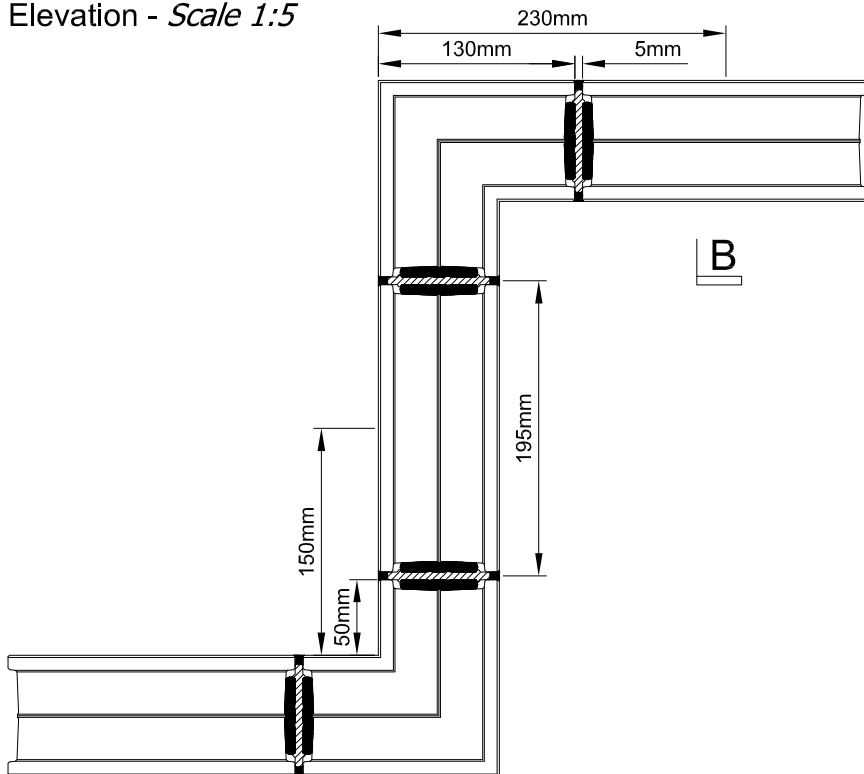
Prefabricated glass block walls are non-loadbearing and should be designed into the fabric of the building in a similar manner as other non-loadbearing elements such as windows and doors. Lintels should be provided over all glass block windows and walls constructed off suspended floors should be adequately supported to limit deflection.

Where vibrations are expected, flexible grout is recommended.



Elevation - Scale 1:5

Section B-B  
Scale 1:5



Section A-A - Scale 1:5

**New Age Glass**

Unit 4, Phoenix Business Centre, Spur Road, Chichester, West Sussex, PO19 8PN  
01243 720414 - [www.newageglass.co.uk](http://www.newageglass.co.uk)

**Sheet PF-CNR-5**

Issue Date: 16 October 2009  
Drawn DB