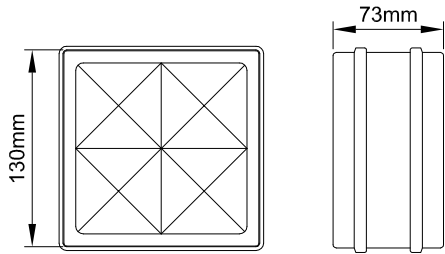
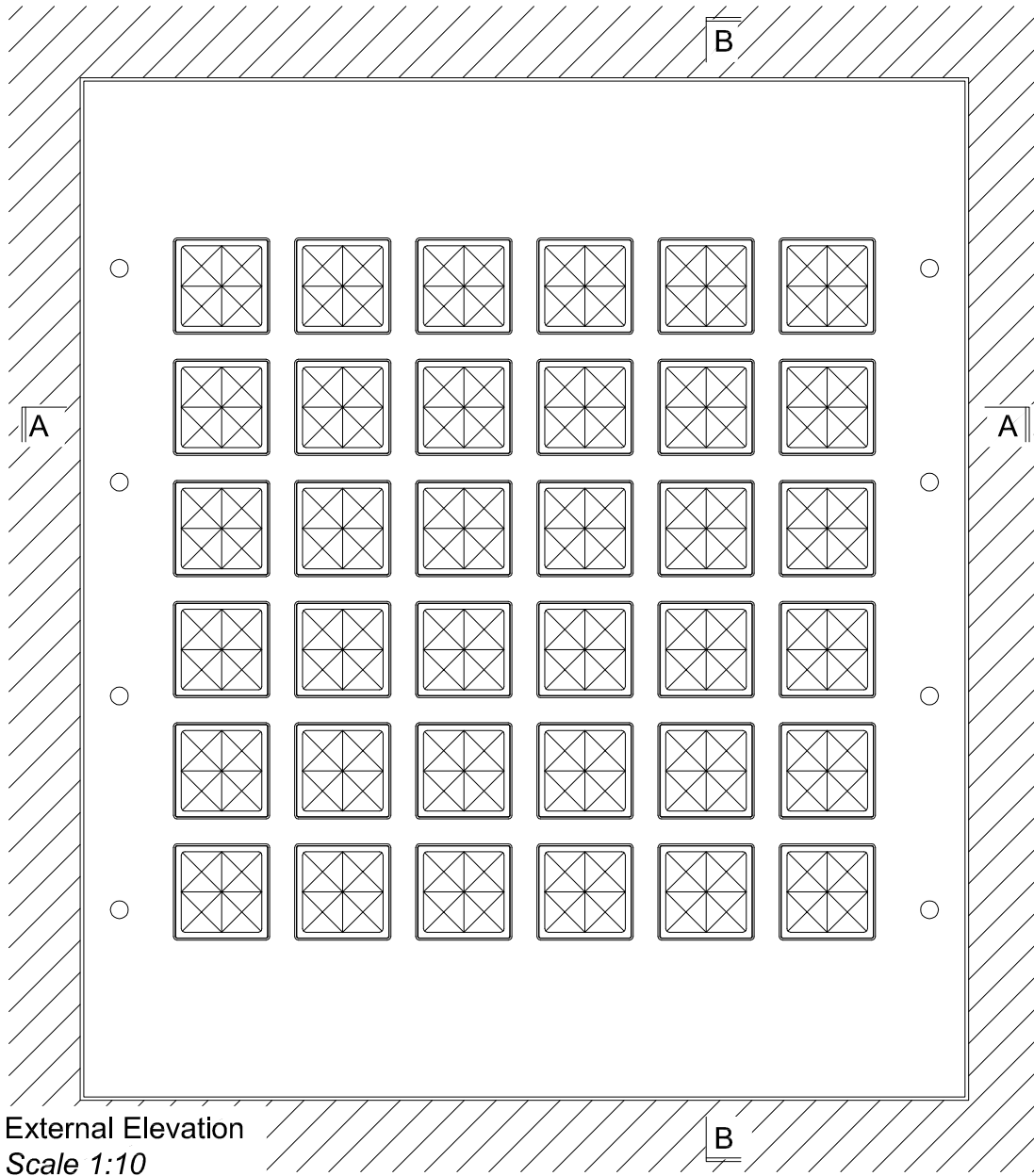


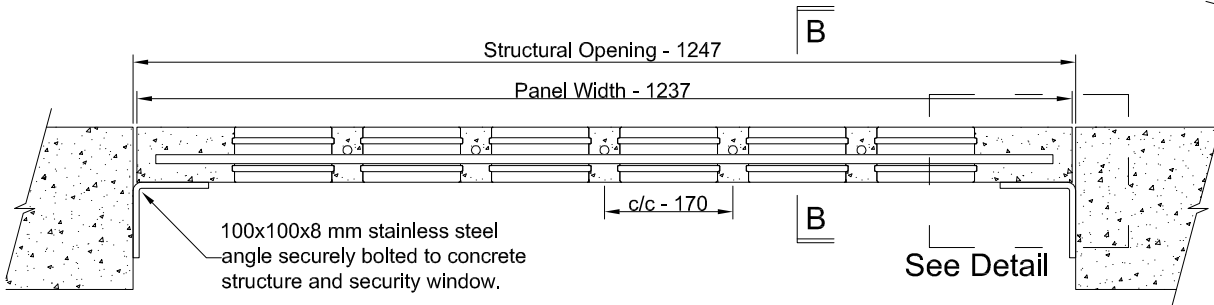
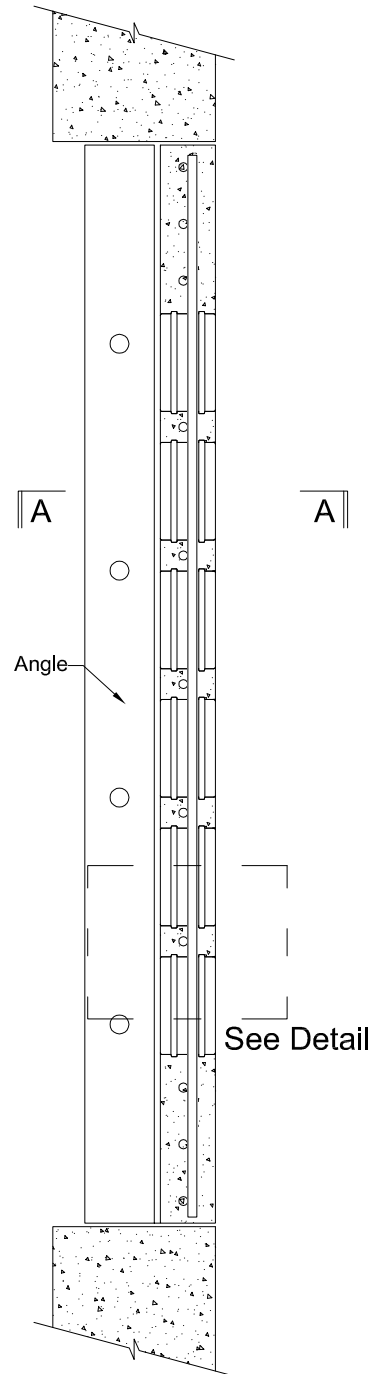
Technical Details - Security Window - 130 mm Glass-Block - 170 mm c/c



130x130x73 mm Toughened Block



External Elevation
Scale 1:10



Section A-A
Scale 1:10

New Age Glass

Unit 4, Phoenix Business Centre, Spur Road, Chichester, West Sussex, PO19 8PN
01243 720414 - www.newageglass.co.uk

Sheet SW170 - 1

Issue Date: 12 October 2009
Drawn DB