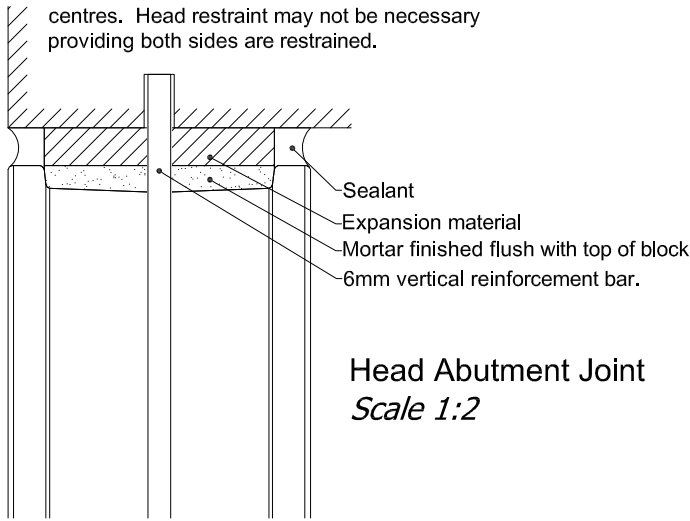


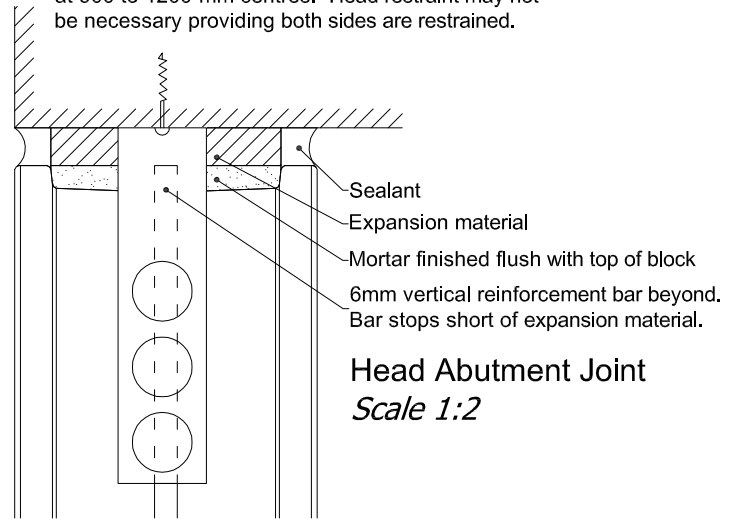
Technical Details - Mortar - Joint and Abutment Details

Providing the lintel or beam above permits, the reinforcement bar is drilled into head to provide vertical restraint. Drills at 900 to 1200-mm centres. Head restraint may not be necessary providing both sides are restrained.



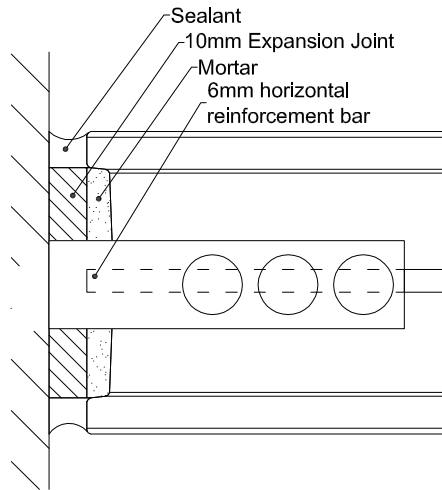
Head Abutment Joint
Scale 1:2

Providing the lintel or beam above permits, the frame-tie is screwed into head to provide vertical restraint. Other fixing methods exist. Ties to provided at 900 to 1200-mm centres. Head restraint may not be necessary providing both sides are restrained.

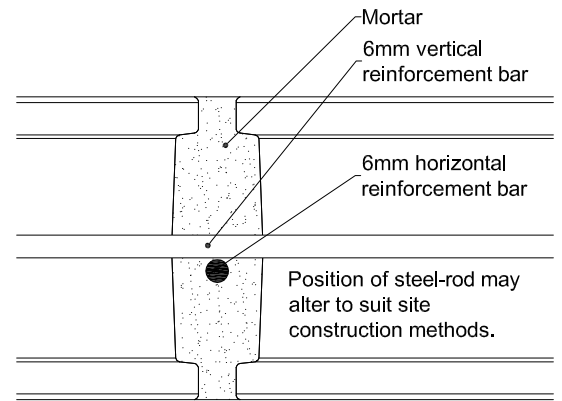


Head Abutment Joint
Scale 1:2

Providing the reveal or frame above permits, the frame-tie is screwed into surround to provide horizontal restraint. Other fixing methods exist. Ties to provided at 450 to 600-mm centres. Head restraint may not be necessary providing both sides are restrained.



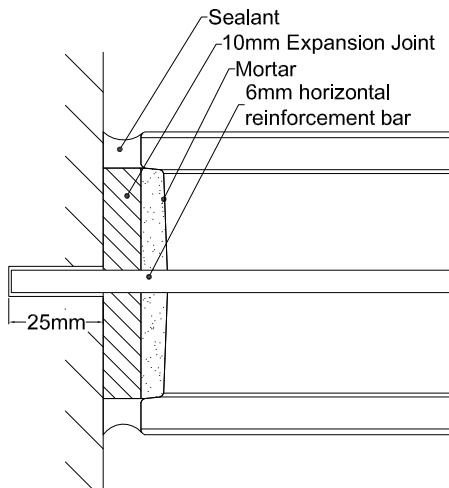
Abutment Fixing
Scale 1:2



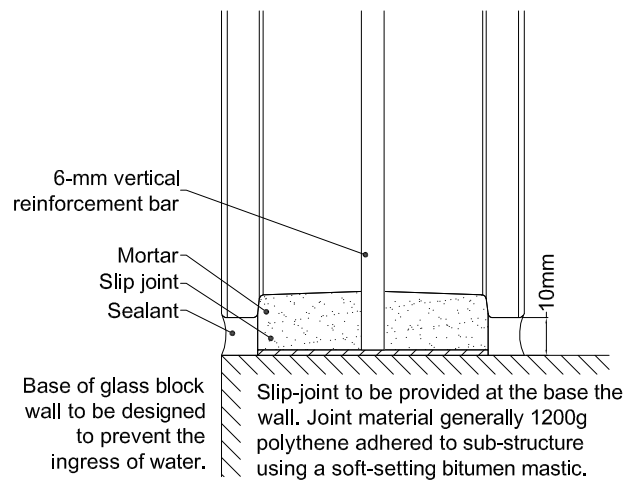
Mortar Joint
Scale 1:2

Joint sizes:
2, 6, 10-mm.
A 16-mm joint is also available.

Providing the reveal or frame above permits, the reinforcement bar is drilled into surround to provide horizontal restraint. Drills at 450 to 600-mm centres. Head restraint may not be necessary providing both sides are restrained.



Abutment Fixing
Scale 1:2



Base Fixing
Scale 1:2